



Continuous Inkjet

Videojet® 1460

Built for India, the Videojet 1460 is engineered to perform in harsh conditions while helping reduce total cost of ownership.



The Videojet® 1460 CIJ printer is built to deliver consistent performance in demanding environments. Its durable design and intelligent systems enable longer intervals between preventive maintenance, helping customers reduce downtime and Total Cost of Ownership (TCO). Whether in routine production or demanding ambient conditions, the 1460 stands out as a reliable, efficient and cost-effective coding solution for India.



Harness digital capabilities

- Improve uptime with Videojet OPTIMIZE, a next-generation diagnostic tool engineered to monitor critical parameters for maximizing availability
- Respond sooner to faults and minimize the need for on-site service calls with Videojet VRS (Remote Service)
- Analyze individual use patterns and receive printer improvement opportunities via on-screen alerts

Accurate, high-quality codes, even in challenging conditions

- Tablet-like functionality enhances an operator's ability to learn the interface to reduce coding errors
- User definable message rules can automate code content without need of operator interaction
- Options like positive air to the printhead help deliver clear, readable codes even in challenging production conditions

Lower TCO with high-efficiency performance

- Go longer between printhead cleanings with intelligent start-stop sequence
- Best-in-class make-up consumption results in fewer cartridge changeovers
- Extended filter life reduces cost and allows for simple user-performed maintenance

Natural fit in your line

- Maximize line productivity and reduce downtime with easy-to-replace SmartCell™ components
- Reduce training from the intuitive SIMPLICITY™ user interface and on-board videos that guide users through common tasks
- Select from a wide variety of safer, more eco-conscious inks engineered to meet your application needs

Videojet® 1460

Continuous Inkjet

Line speed capability

Can print 1 to 5 lines of print at speed of up to 914fpm (278mpm)
(10 characters per inch, single line of print)

Font matrix configuration

Single-line: 5X5, 5x7, 5X7 Tower, 7x9, 9x12, 10x16, 16x24, 25x34

Twin-line: 5x5, 5x7, 7x9, 9x12, 10x16

Tri-line: 5x5, 5x7, 7x9

Quad-line: 5x5, 5x7

Five-line: 5x5

Linear bar codes

UPC A&E; EAN 8 & 13; Code 128 A, B & C; UCC/EAN 128;

Code 39; Interleaved 2 of 5; GS1

QR codes

21x21, 25x25, 29x29, 33x33

Error correction mode L, M, Q or H

DataMatrix codes

Square Form up to 32x32; Rectangular Form up to 16x48

Nominal character height

Selectable from 0.079" (2mm) to 0.40" (10mm), depending on font

Throw distance

Optimal: 0.472" (12mm)

Range: 0.197" (5mm) to 0.591" (15mm)

User interface

8" high-response TFT-LCD touch screen

WYSIWYG touch to edit message editing

Custom logo/graphics

Can be created via optional CLARISOFT™ software*

* CLARISOFT Package Coding Design software required for bar codes and other advanced functionality

Character sets

European/American and Vietnamese, Chinese, Russian/Bulgarian, Turkish/Scandinavian, Romanian, Greek, Arabic, Japanese/Kanji, Faroese, Hebrew, Icelandic, Korean, East European

Languages and interface options**

English, Arabic, Bulgarian, Czech, Danish, Dutch, Finnish, French, German, Greek, Hebrew, Hungarian, Italian, Japanese, Korean, Norwegian, Polish, Portuguese, Russian, Serbian, Simple Chinese, Spanish, Swedish, Thai, Traditional Chinese, Turkish and Vietnamese

** Some languages not fully supported

Input/output

Product detect input

Encoder input

Beacon (Alarm light) output

Relay output

USB 2.0 (2x)

Ethernet LAN™

Message storage

More than 250 complex messages

Environmental protection

IP55 standard, no plant air required, stainless steel cabinet

Printhead

Heated printhead

Optional positive air, no plant air required

Diameter: 1.63" (41.3mm)

Length: 10.62" (269.8mm)

Printhead umbilical

Ultra flexible

Length: 9.84' (3m)

Diameter: 0.91" (23mm)

Bend radius: 4.0" (101.6mm)

Fluids containers

Ink and Make-up Smart Cartridge™ 0.793 qt. (750ml)

Temperature/humidity range

32°F to 122°F (0°C to 50°C)

0% to 90% RH non-condensing

With selected inks; actual installation may require additional hardware based on production environment conditions

Approximate weight

Unpacked and dry: 39.5lbs (17.9kg)

Options

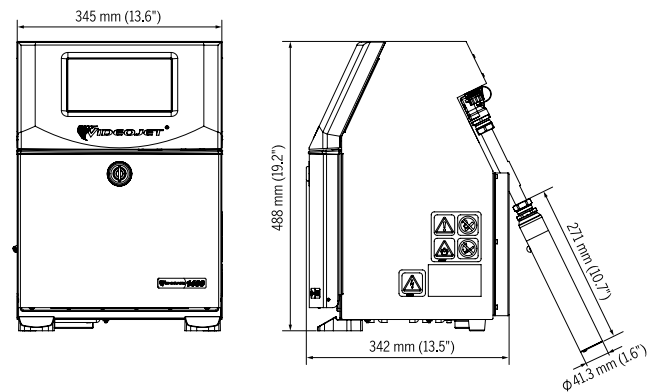
Dry air kit for high humidity (requires plant air)

RS232 connector kit (USB to Serial DIN-5 male adapter)

Optional scan2run Workflow Module

Wide range of accessories

Marking unit dimensions:



CERTIFIED
ISO 9001
DOCUMENTED QUALITY



+91 75063 45599

marketing.india@videojet.com

www.videojet.in

Videojet Technologies (I) Pvt Ltd

Godrej Two, Unit no. 403 - A, 4th Floor,
Pirojshanagar, Eastern Express Highway,
Vikhroli East, Mumbai - 400079